

[Digital Canal Corporation](#)

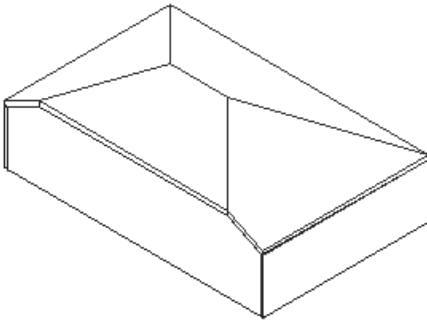
Solution Papers

Summary: *Creating Roofs on different height walls at intersection*

The tips, solutions, and suggestions outlined in Digital Canal Solution Papers are suggested for use at your own risk. Document contents are subject to change without notice. Digital Canal Corporation is not responsible or liable for damage or events that may occur as a result of following suggestions from any Digital Canal Technical Support document. All other product names are trademarks of their respective holders.

Overview: This solution paper will take you through the procedures necessary to create the roof below.

Solution:



1. From the main SolidBuilder menu create a new model. We will first draw the walls.
2. Select Wall → Exterior → Rectangle. Set the Wall height to 8'
3. Select Elevation → Absolute and make sure Absolute is set to 0.
4. We will start at the upper left hand corner and work counter clockwise.
5. Place the model in Plan View.
6. Mark the first corner point near the upper left hand corner of your screen.
7. Draw a rectangle 40' x 20'.
8. Select Wall → Shape → Recreate → To Height. Pick the front wall and you will recreate it to 10'

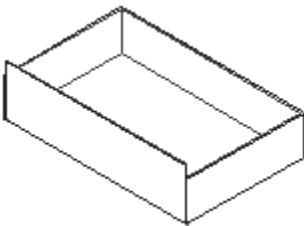
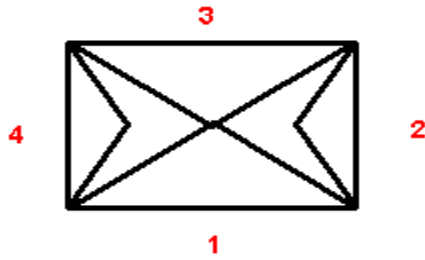
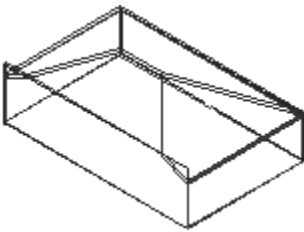


Fig GM2

9. Next create the planes on all 4 walls.
10. Each of the 4 roof sections will be created as a single roof.



11. Select Roof → Single. To create roof section 2: click on the plane 2, then WALL 1, then the PLANE 1, then the plane 3.
12. To create roof section 3: click on the plane 3, then plane 2, then plane 1 and finally plane 4.
13. To create roof section 4: click on plane 4, then WALL 1, then plane 1, and finally plane 3.
14. To create roof section 1: click on plane 1, then plane 2, then plane 3 and finally plane 4.



15. Next recreate the 10' wall to the shape of the roof sections. Select Wall → Shape → Recreate → to Roofceiling.