

[Digital Canal Corporation](#)

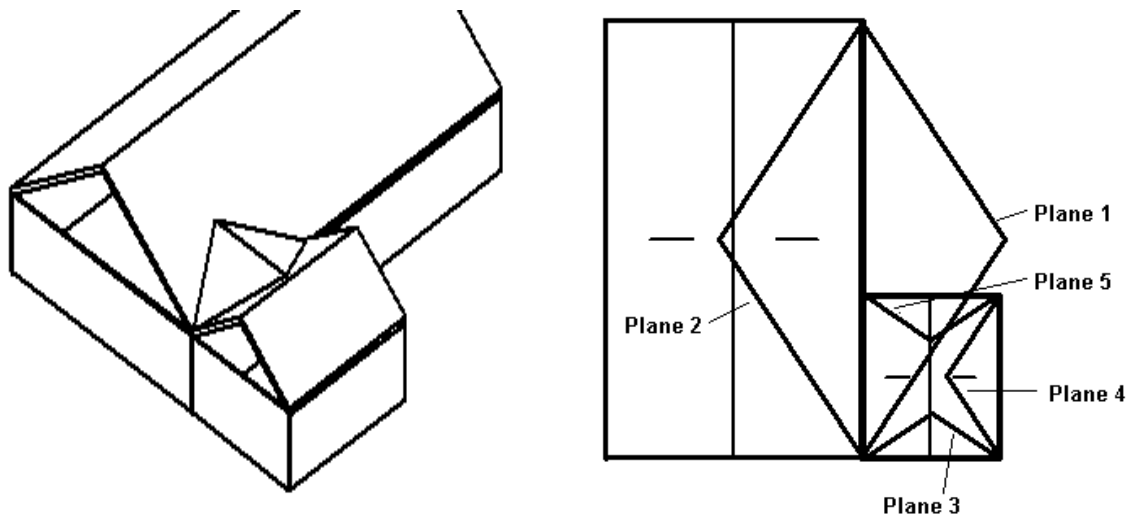
Solution Papers

Summary: *Creating Roof Crickets (saddle)*

The tips, solutions, and suggestions outlined in Digital Canal Solution Papers are suggested for use at your own risk. Document contents are subject to change without notice. Digital Canal Corporation is not responsible or liable for damage or events that may occur as a result of following suggestions from any Digital Canal Technical Support document. All other product names are trademarks of their respective holders.

Overview: The following procedures below will show you how to create a roof cricket or saddle between two parallel roofs. It is assumed you have been through the tutorials on roofs and have a basic understanding of how SolidBuilder™ works.

Solution:



We will use the diagram above as a reference.

1. You must create where the base of the cricket will be. In our example we can place plane 3 and 4 on the walls of the small room. It does not matter that they are not directly centered where the crickets are being created.
Note: *If you do not have walls available, you may either insert temporary walls, or draw reference lines using the Outline command. Be sure to set the correct elevation before drawing reference lines. After you have the reference lines then you can insert the Planes on the lines. In the Plane Options, change 'Wall' to 'Line'.*
2. The cricket will be created in 2 sections, one half of the cricket at a time.
3. To create the first section using the Single method- select plane 5, then plane 2, plane 3, and plane 1. Right mouse click to finish.
4. To create the second section using Single- select plane 3, then plane 2, plane 5 and plane 1. Right mouse click to finish.